

COPYRIGHT:

DEUTSCH

DIESE DRUCKSCHRIFT UND ALLE IHRE BESTANDTEILE IST URHEBERRECHTLICH GESCHÜTZT.

ABBILDUNGEN, GRAFISCHE DARSTELLUNGEN, TEXTE ODER DIE DRUCKSCHRIFT INSGESAMT ODER IN TEILEN DÜRFEN NICHT OHNE VORHERIGE SCHRIFTLICHE GENEHMIGUNG NACHGEDRUCKT ODER SONST REPRODUZIERT WERDEN (Z. B. AUF CD-ROM ODER IM INTERNET).

WENN SIE DIESE PDF-DATEI FÜR IHREN PERSÖNLICHEN GEBRAUCH VON UNSERER INTERNET-SEITE KOPIERT HABEN, MÖCHTEN WIR DARAUF HINWEISEN, DASS ALLE DORT ZUR VERFÜGUNG GESTELLTEN DATEIEN OHNE JEDEN WEITERN HINWEIS AUF DEN NEUESTEN TECHNISCHEN STAND GEBRACHT WERDEN. DIE ÄNDERUNG VON TECHNISCHEN DATEN UND LIEFERUMFANG IST DAHER VORBEHALTEN.

COPYRIGHT:

ENGLISH

ALL ARTWORK, PICTURES AND TEXTS ARE COVERED BY OUR COPY-RIGHT.

THEY MUST NOT BE COPIED FOR REPRODUCTION (E.G. ON CD-ROM DISKS OR INTERNET-SITES) OR USED IN THEIR ENTIRE FORM OR IN EXCERPTS WITHOUT OUR PREVIOUS WRITTEN AGREEMENT.

IF YOU ARE DOWNLOADING PDF-FILES FROM OUR INTERNET HOME-PAGE FOR YOUR PERSONAL USE, MAKE SURE TO CHECK FOR UPDATED VERSIONS.

WE CANNOT TAKE ANY LIABILITY WHATSOEVER FOR DOWNLOADED FILES, AS TECHNICAL DATA ARE SUBJECT TO CHANGE WITHOUT NOTICE.

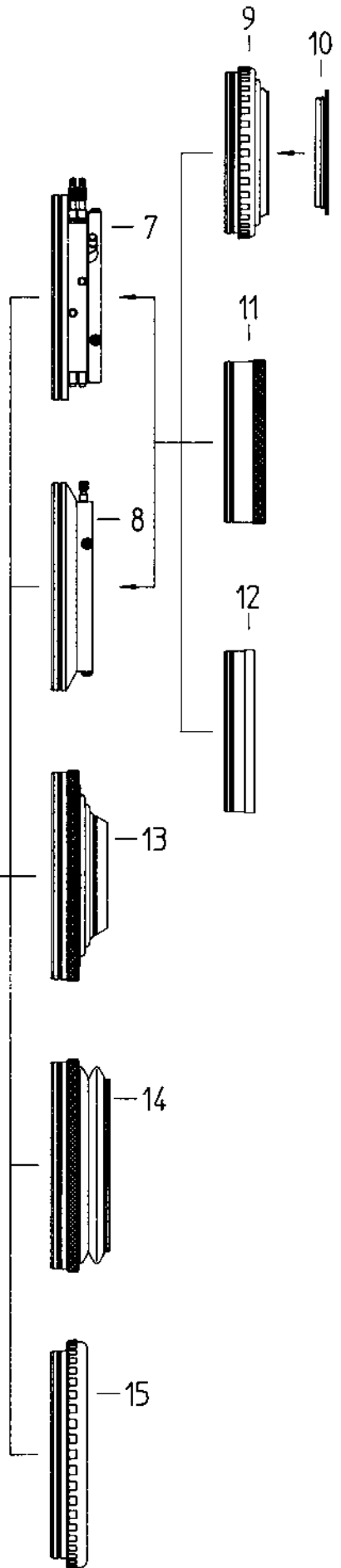
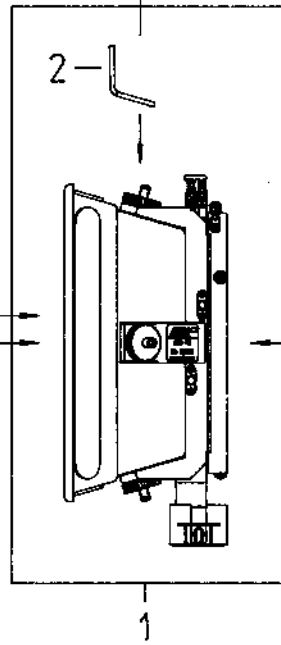
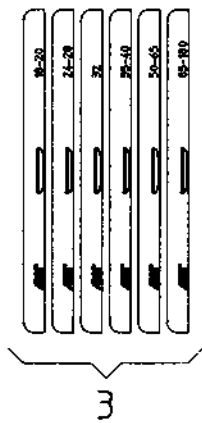
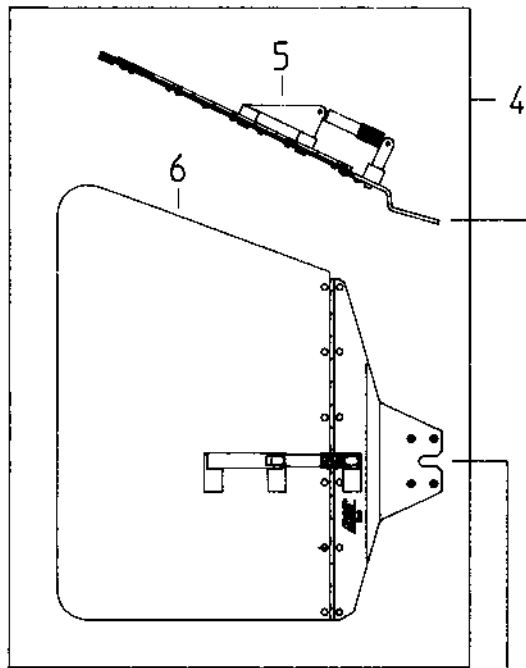
ARRI



MB-15



5"x6"
Production Matte Box MB-15



The 5"x6" Production Matte Box MB-15 System

Item	Ident-No.	Description
1	K2.44473.0	5"x6" Production matte box MB-15 (for support rods 19 mm dia.) with french flag holder
	K2.44473.A	5"x6" Production matte box MB-15 (for support rods 15 mm dia.) with french flag holder
2	K5.44284.0	French flag holder (incl. in item 1)
3	K0.59965.0	Set of masks for 35 mm 18-180 mm lenses
	K0.59964.0	Set of masks for 16 mm 12-180 mm lenses
	K2.44997.0	Set of masks for ARRISCOPE 40-135 mm lenses
4	K0.59976.0	Light trap set (top/bottom K2.44738.0, lateral K2.44746.0/pair)
5	K2.44738.0	Light trap top/bottom (incl. in item 4)
6	K2.44746.0	Light trap lateral/pair (incl. in item 4)
7	K2.42293.0	4"x4" filter stage for two 4"x4" push-through filters, (individually rotatable) and for one 138 mm round filter
8	K2.42304.0	Step down ring
9	K2.49109.0	4 1/2" filter ring with retaining ring 87 mm dia. for Zeiss Vario-Sonnar T2/10-100 II and T2.2/11-110
10	K2.47226.0	Insert ring 80 mm dia. for prime lenses and Zeiss Vario Sonnar T2/10-100 (item 9 necessary)
11	K2.32903.0	4 1/2" filter ring for Zeiss T3/300, Vario-Sonnar T3/10-100 and Cooke 9-50/10.4-52
12	K2.32911.0	Anti-reflection ring for Zeiss T3/300, Vario-Sonnar T3/10-100 and Cooke 9-50/10.4-52
13	K2.34786.0	138 mm filter ring for prime lenses (80 mm dia.)
	K2.34290.0	138 mm filter ring for Zeiss Vario-Sonnar T2/10-100 II and T2.2/11-110 (87 mm dia.)
14	K2.34260.A	138 mm filter ring with rubber sleeve for Cooke 10-30/20-60/25-250 MK II
	K2.34260.B	138 mm filter ring with rubber sleeve for Zeiss 1.8/14
	K2.34260.C	138 mm filter ring with rubber sleeve for Cooke 25-250
15	K2.34250.0	6" filter ring with rubber sleeve for Cooke 20-100/9.5-47.5
	K2.44372.0	6" filter ring with rubber sleeve for Cooke 18-100/25-250 Cinetal and Variable Primes
	K2.44366.0	Anti-reflection ring with rubber sleeve for Cooke 18-100/25-250 Cinetal and Variable Primes
	K2.41528.0	Anti-reflection ring with rubber sleeve for ARRISCOPE 40-135 mm lenses
	K4.32527.0	5"x6" filter frame (for item 1, spare)
	K2.34779.0	4"x5.65" filter frame (for item 1)
	K2.34782.0	4"x4" filter frame (for item 1)
	K4.32902.0	4"x4" filter frame (for item 7, spare)
	K2.32220.0	4"x5.65" filter frame (for item 7)
	K2.34980.0	4"x6" filter frame (for item 7)
	K2.44774.0	Case for production matte box and accessories (variable dividers)

5" x 6" Production Matte Box MB-15

This matte box is equipped with a filter stage for two 5" x 6" filters. The matte box has a recaptacle on the rear for 6", 138 mm or 4 1/2" filter rings, as well as for reflex prevention rings and an additional rotatable 4" x 4" filter stage.

The matte box can be swung open to the front for easy lens changing. A holder serves for fastening french flags.

Technical data:

Shortest focal length with 35 mm lenses	14 mm
Shortest focal length with 16 mm lenses	8 mm
Max. number of filters	two 5" x 6" filters plus one round filter
Max. number of filters (with 4" x 4" filter stage)	two 5" x 6" filters plus two 4" x 4" filters plus one 138 mm plus one 4 1/2" round filter
Mouting on camera	bridge plate with support rods 19 mm dia.
Dimensions	11.9 x 9.8 x 4.3 in
Weight	approx. 2.64 lbs



ARNOLD & RICHTER CINE TECHNIK

TÜRKENSTR. 89 • D-80799 MÜNCHEN • TEL. (089) 3809-0
FAX (089) 3809-1244 • <http://www.arri.com>